



Large Aluminum Alloy Arcum Event Marquee Tent For Outdoor Party Wedding Exhibition Etc

Our Product Introduction

Basic Information

- Place of Origin: Guangdong
- Brand Name: Tendars
- Certification: ISO9001, SGS Coc, CE
- Model Number: Big tent
- Minimum Order Quantity: 25 square meters
- Price: Reconsideration
- Packaging Details: 1, The aluminium frame structure packed into the bubble film 2, the pvc fabric roof cover and sidewalls are packed into the PVC fabric carry bag; 3, Hardware packed into the box.
- Delivery Time: 18days or To be negotiated
- Payment Terms: L/C, T/T, Western Union, MoneyGram
- Supply Ability: 50000 Square Meters per Month



Product Specification

- Product Name: Event Marquee Tent
- Building Type: Construction Based On Need
- Usage: Outdoor Activities
- Size: Customized Size
- Color: Customized Color
- Wind Resistance: 80kw/h-100kw/h
- Fixing Solution: Weight Plate.etc
- Side Wall: 850g/sqm PVC Or Custom
- Highlight: **Aluminum Alloy Event Marquee Tent, Arcum Event Marquee Tent, Outdoor Party Event Marquee Tent**



More Images



for more products please visit us on marquees-tent.com

Product Description

Large Hot-Selling Aluminum Alloy Arcum Event Marquee Tent For Outdoor Party Wedding Exhibition Etc

Product Specification:

Place of Origin	Guangdong,China
Function	Party/Wedding/Banquet/Ceremony, etc.
Wind Load	120 km/h
Snow Load	75kg/sqm
Manufacturer	Yes

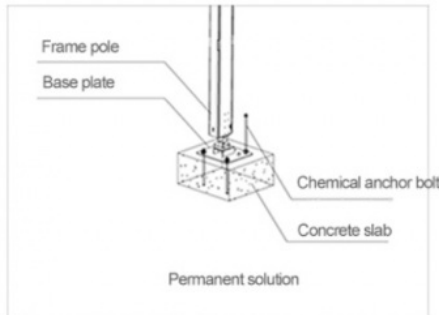
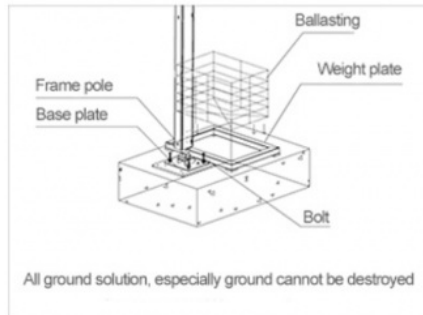
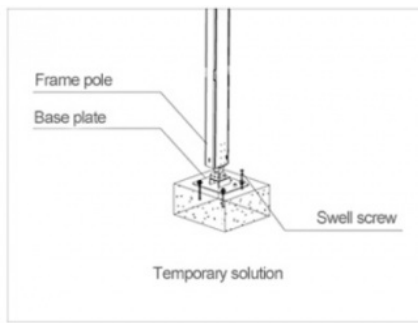
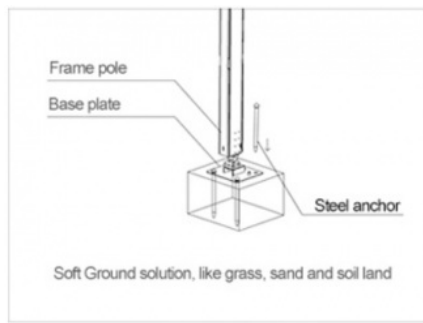
Main Profile	Material: Hard Pressed Extruded Aluminum Alloy (T6061/T6)
	Features: Stainless, Lightweight
Covering	Roof Material: 750g/m2 or 850g/m2 PVC for roof cover,650g/m2 PVC for sidewall.High quality double PVC-coated polyester textile, 100% waterproof, flame retardant to DIN4102 B1, UV resistant, tear resistant, self-cleaning ability
	Wall System: Sandwich Panel, ABS Solid Panel Wall, Trapezoidal Steel Wall, PVC Coated Polyester Fabric.
Components	Superior Enclosure with hot dip galvanized steel.

Name	Side Height/m	Top Height/m	Frame Size/mm	Length/m
Arcum tent width 5m	2.5m	3.28m	48*84*3mm	Customized
Arcum tent width 10m	2.5m	4.12m	122*68*3mm	Customized
Arcum tent width 12m	3m	4.87m	122*68*3mm	Customized
Arcum tent width 15m	3m	5.18m	166*88*3mm	Customized
Arcum tent width 20m	3m	5.84m	112*203*4mm	Customized
Arcum tent width 25m	4m	7.71m	112*203*4mm	Customized
Arcum tent width 30m	4m	8.46m	120*254*4mm	Customized
Arcum tent width 50m	5m	14.75m	120*400*5mm	Customized

Details:

Material	Aluminum Alloy T-6061
Origin	Guangdong, China
Application	Wedding, Ceremony, Event, Festival, Stadium, Celebration, so on

Install way:



FQA:

1. What is an Event Marquee Tent?

An Event Marquee Tent is a temporary structure used for hosting events such as weddings, parties, corporate gatherings, exhibitions, and festivals. It typically features a canopy supported by a frame and may include sidewalls for additional protection.

2. What sizes are available for Event Marquee Tents?

Event Marquee Tents come in a variety of sizes to accommodate different events and venue capacities. Common sizes range from small tents suitable for intimate gatherings to large tents capable of hosting hundreds or thousands of guests.

3. What are the main components of an Event Marquee Tent?

The main components of an Event Marquee Tent include the frame (typically made of aluminum or steel), canopy fabric (usually PVC or polyester), sidewalls (optional), anchors or weights for stability, and additional accessories such as flooring, lighting, and heating/cooling systems.

4. Are Event Marquee Tents suitable for outdoor events in all weather conditions?

Yes, Event Marquee Tents are designed to provide shelter and protection from various weather conditions, including rain, wind, sun, and moderate snow. However, extreme weather conditions may require additional precautions or alternative arrangements.

5. How are Event Marquee Tents anchored or secured?

Event Marquee Tents can be anchored or secured using various methods depending on the surface and site conditions. Common anchoring methods include stakes, anchors, weights, and ballasts, which are used to secure the tent to the ground and ensure stability.

6. Can Event Marquee Tents be customized to fit specific event requirements?

Yes, Event Marquee Tents can be customized in terms of size, color, branding, accessories, and layout to meet the specific needs and preferences of event organizers. Customization options allow organizers to create a unique and personalized environment for their events.



Guangzhou Tendars Tent Co., Limited

☎ 0086 13640286461

✉ amanda@marquees-tent.com

🌐 marquees-tent.com

No.319, 2nd building , 8th zone , Aoyuan city plaza , Zhongcun Street, Guangzhou, Guangdong, China