



Aluminum Lighting Truss, Concert Stage And Truss For Sale, Portable Stage For Exhibition , Show

Our Product Introduction

Basic Information

- Place of Origin: Guangdong
- Brand Name: Tendars
- Certification: ISO9001, SGS Coc, CE
- Model Number: Truss Frame
- Minimum Order Quantity: 25 square meters
- Price: Reconsideration
- Packaging Details: 1, The aluminium frame structure packed into the bubble film 2, the pvc fabric roof cover and sidewalls are packed into the PVC fabric carry bag; 3, Hardware packed into the box.
- Delivery Time: 18days or To be negotiated
- Payment Terms: L/C, T/T, Western Union, MoneyGram
- Supply Ability: 50000 Square Meters per Month



Product Specification

- Product Name: Stage And Truss For Sale
- Aluminum Truss Size: 290*290mm
- Shape: Square Circle Arch Triangle Ladder Truss
- Height: 0.5-4.0m
- Main Tube: 50*2mm 50*3mm 50*4mm
- Brace Tube: Diameter 25*2mm / 20*2mm
- Type: Lighting Truss
- Application: Exhibition , Show



More Images



for more products please visit us on marquees-tent.com

Product Description

Aluminum Lighting Truss, Concert Stage And Truss For Sale, Portable Stage For Exhibition , Show

Product Description:

Product Name	Stage And Truss For Sale
Material	Aluminum alloy 6082-T6 or 6061-T6
Color	blue , gery , yellow , black or customized is available
Standard	ISO9001, SGS, Coc, CE
truss sheap	square truss , triangle truss , ladder truss , arch truss
Booth type	200*200mm, 220*220mm, 290*290mm, 400*400mm, 520*520mm, 900*1000mm
Main tube	50*5mm , 50*4mm , 50*3mm , 50*2mm
Tower Components	steel base ;hinge set ; sleeve block ; top section ; stabilizer ; hoist
Sample time	3-5 working days
Product ion time	5 working day depend on the quantity
Packing	all manufactured flight case are wrapped in Bubble Bag & Export Cartons only; extra packaging is available on request. There is no extra charge for this service.
Shipping method	By DHL , UPS, TNT , Fedex , Almost all express shipping methods service if small order, and we can book space and get you the earliest date of delivery by sea if bulk order If there is any unhappy occasions with the shipping, we will try our best to solve it with the shipping agent and ask for compensation.
Payment terms	By T/T, Western Union , Paypal , Escrow Payment
Warranty	36 mounths
After sells service	If there is the problem with the product, firstly you need send the picture or the video to us, then let us make sure what's problem about the product, if the problem can use the part to solve ,we will offer you the replacement for free Within 1 year.

Product details:

290*290mm aluminum trusses are commonly used in a variety of different fields. Our products are easy to set up & disassembly and give our customers great variety of possible installations. The JW trussing systems are commonly used for all kinds of applications from small lighting designs, exhibition and display booths to a large scale stage structures. The trussing systems are used in entertainment, music and corporate events industries as well as by architects and designers.

Specifications

290*290MM Aluminum Spigot Truss with the Characteristics of Compactness, optimum strength and easy assembly with the box corner system. It offers a flexible and strong truss system that is suitable for many designers.

Materials : The Aluminum Box Truss are made of Aluminum 6082-T6 ,main tube 50*3mm, Brace tube: 25*2mm / 20*2mm

Shape: Ladder truss , Triangle truss, Square Truss

Size: 0.5m/1m/1.5m/2m/2.5m/3m/3.5m/4m, any other sizes also can be customized

Colors: Different colors can be produced

Accessories : The Related accessories such as corner , baseboard ... will be provided according to your sizes and design

Package

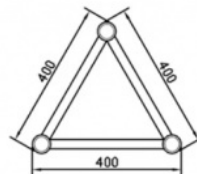
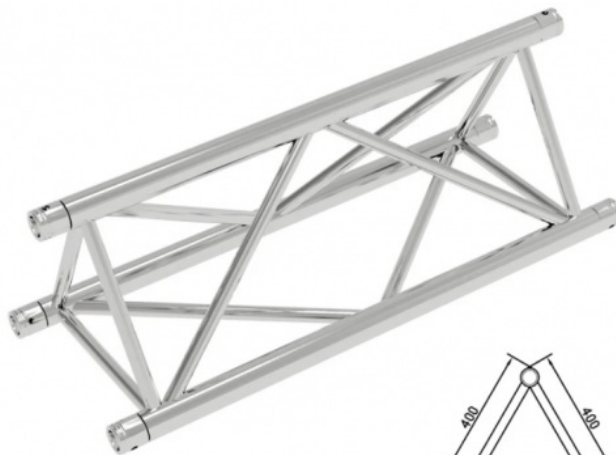
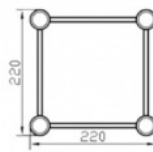
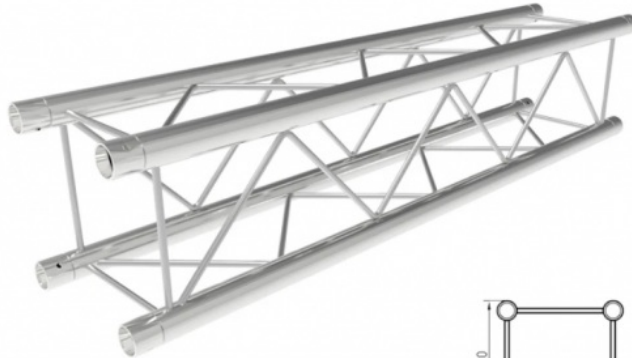
- Carton
- Dimensions : 300*300 mm

Features

1. 6082-T6 Aluminum truss

2. many years experience
3. Lightweight and durable
4. Easy to transport and set up
5. OEM welcome
6. Certificate: ISO9001, SGS, Coc, CE certificated
7. Weight -loading capacity : 500-1200KG/Meter according to the truss size

Type:



FQA:

Q:1. How many years we make this and can I order one samples to test Quality ?

A: We were made this have 10yaers .You can order at least one product to test quality and sales market.

Q:2. What's the main matrial of truss system products ?

A: We used the good quality international standard 6082-T6 raw aluminum material .6082-T6 aluminum alloy is a heat treatment can be enhanced ,with a certain strength,good formability ,weldability ,machinability and corrosion resistance can be high in a variety of industrial structural .

Q:3 How to maintain and clean the truss products ?

A: It will must be careful,do not like cleaning the house as a rag wipe the end road surface protection layer, wear long time clearing would cause the truss surface , will damage the truss of the original light, Also do not with water and detergent to clean it . because of the the truss will be rot and no light ,Should be use spray wax clearlling truss .

Q:4.How long is your company's product life cycle?

A: Depending on your maintenance of the product, generally about 10 years.

Q:5.Does your company can produce customized products?

A:The size of the products ,sticker design ,logo can be customized according to your requirements.

Q:6.How long is your company's product warranty period?

A:One year Warranty period for free, we still provide maintenance over the warranty period.

Q:7.How to choose the truss size ?

A: Normally ,290mm *290mm square truss span to 12m ,400*400mm square truss span to 16m . So it will choose 290*290mm square truss , which can load 500kgs at 12m span



Guangzhou Tendars Tent Co., Limited

☎ 0086 13640286461

✉ amanda@marquees-tent.com

🌐 marquees-tent.com

No.319, 2nd building , 8th zone , Aoyuan city plaza , Zhongcun Street, Guangzhou, Guangdong, China