



Aluminum Lighting Stage Truss Outdoor Small Event Stage For Events,Party,Exhibitionsand Etc

Our Product Introduction

Basic Information

- Place of Origin: Guangdong
- Brand Name: Tendars
- Certification: ISO9001, SGS Coc, CE
- Model Number: Truss Frame
- Minimum Order Quantity: 25 square meters
- Price: Reconsideration
- Packaging Details: 1, The aluminium frame structure packed into the bubble film 2, the pvc fabric roof cover and sidewalls are packed into the PVC fabric carry bag; 3, Hardware packed into the box.
- Delivery Time: 18days or To be negotiated
- Payment Terms: L/C, T/T, Western Union, MoneyGram
- Supply Ability: 50000 Square Meters per Month

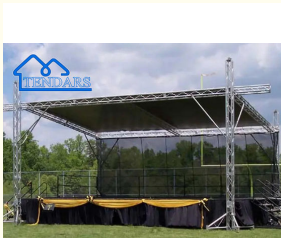


Product Specification

- Product Name: Outdoor Small Event Stage
- Type: Aluminum Spigot Truss
- Material: Aluminium Alloy 6082-T6
- Size: Beam 520x520mm,pillar 300x300mm
- Main Tube Thickness: 50x3mm
- Truss Unit Length: 0.5/1/2/3/4m,customized
- Load Capacity: 500-1500kgs
- Application: Indoor And Outdoor Events,party,exhibitionsand Other Entertainments
- Highlight: **aluminum stage truss for outdoor events , small event stage truss , lighting stage truss for parties**



More Images



for more products please visit us on marquees-tent.com

Product Description

Aluminum Lighting Professional Stage Truss Outdoor Small Event Stage For Events,Party,Exhibitionsand Etc

Product Description:

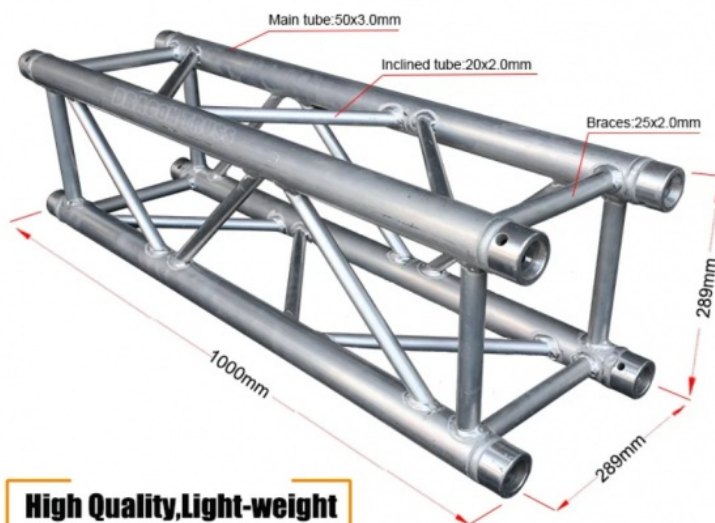
Place of Origin	Guangzhou,Guangdong,China
Material	Aluminum 6082-T6/6061-T6
Size	289*289mm/389*389mm/520*520mm/520*760mm/600*760mm etc.
Main tube	50*3mm(50*4mm or customized)
Length	0.5/1/2/3/4m or customized
Connector	Spigot or screw
Colour	Silver or black or customized
Application	Hanging lighting or speaker,used in exhibition or indoor show,outdoor show
Payment	By TT, western union or alibaba credit
Package	Bubble film
Delivery time	7-15 days after deposit

289*289mm Loading capacity	Main tube:50*3mm			Braces:25*2mm
length	6m	8m	10m	12m
Centre point load(kg)	700	550	450	360
Deflection(mm)	33	57	62	93
Symmetrical load(kg)	200	120	84	55
Deflection(mm)	33	76	112	148

Product details:

Advantages

*while in rainy days,with canopy we can continue our project *while at night,effect of led light is better with canopy cover on truss *truss system and seating system and stage set together ,it will have perfect light-holding effect and stage atmosphere *if client has purchase demand,our factory will made them together for best combination *2 type:spigot truss and bolt truss . the former is more convient to assemble and diassemble



High Quality,Light-weight



Key principles:

Portability: The stage should be lightweight and easy to transport to different outdoor locations. It may feature collapsible or foldable components for convenient storage and transportation.

Modularity: The stage design should be modular, allowing for customization and flexibility in configuring the layout and size according to the specific requirements of each event. Modular components can be easily assembled and disassembled to accommodate different stage configurations.

Durability: Given its outdoor use, the stage should be constructed from weather-resistant materials that can withstand exposure to sunlight, wind, rain, and other environmental elements. Durable materials such as aluminum, steel, or composite materials are commonly used to ensure structural integrity and longevity.

Safety: Safety is paramount, and the stage should be designed to meet relevant safety standards and regulations. This includes ensuring stable footing, adequate weight distribution, secure connections between components, and non-slip surfaces to prevent accidents or injuries during use.

Scalability: While designed as a small event stage, the platform should have the flexibility to accommodate additional components or accessories, such as canopy covers, railings, stairs, or lighting rigs, to enhance functionality and meet the needs of different events.

Ease of Assembly: The stage should be user-friendly, allowing event organizers or production teams to set up and dismantle it quickly and efficiently without requiring specialized tools or expertise. Clear assembly instructions and labeling of components can streamline the process.

Versatility: The stage should be versatile enough to support various types of performances or activities, including live music, theatrical productions, corporate presentations, and community events. This may involve providing options for stage height adjustments, different stage configurations, and compatibility with audiovisual equipment.

FQA:

1. How to pack?

Customers can customize packaging according to their own needs

2. Can I print the LOGO?

Can use laser to print or paste logo

3. How long does the production cycle take?

The specific production cycle needs to be communicated with customer service

4. Can it be transported to the designated place?

Can provide transshipment services for customers and transport them to the location designated by the customer



Guangzhou Tendars Tent Co., Limited

☎ 0086 13640286461

✉ amanda@marquees-tent.com

🌐 marquees-tent.com

No.319, 2nd building , 8th zone , Aoyuan city plaza , Zhongcun Street, Guangzhou, Guangdong, China