



Durable Aluminum Alloy Truss Movable Aluminum Stage Truss Spigot Bolts Truss

Our Product Introduction

for more products please visit us on marquees-tent.com

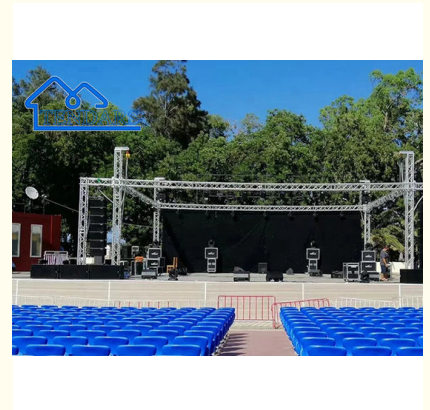
Basic Information

- Place of Origin: Guangdong
- Brand Name: Tendars
- Certification: ISO9001, SGS Coc, CE
- Model Number: Truss Frame
- Minimum Order Quantity: 25 square meters
- Price: Reconsideration
- Packaging Details: 1, The aluminium frame structure packed into the bubble film 2, the pvc fabric roof cover and sidewalls are packed into the PVC fabric carry bag; 3, Hardware packed into the box.
- Delivery Time: 18days or To be negotiated
- Payment Terms: L/C, T/T, Western Union, MoneyGram
- Supply Ability: 50000 Square Meters per Month

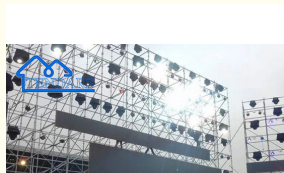


Product Specification

- Product Name: Aluminum Truss
- Place Of Origin: Guangdong, China
- Material: Aluminum Alloy 6061-T6/Q235
- Application: Events
- Color: Silvery White
- Shape: Square Circle Arch Triangle Ladder Truss
- Size: 300*300mm/400*400mm/520*760mm
- Feature: Durable
- Highlight: **Durable aluminum alloy stage truss, Movable aluminum truss spigot bolts, Aluminum stage truss with warranty**



More Images





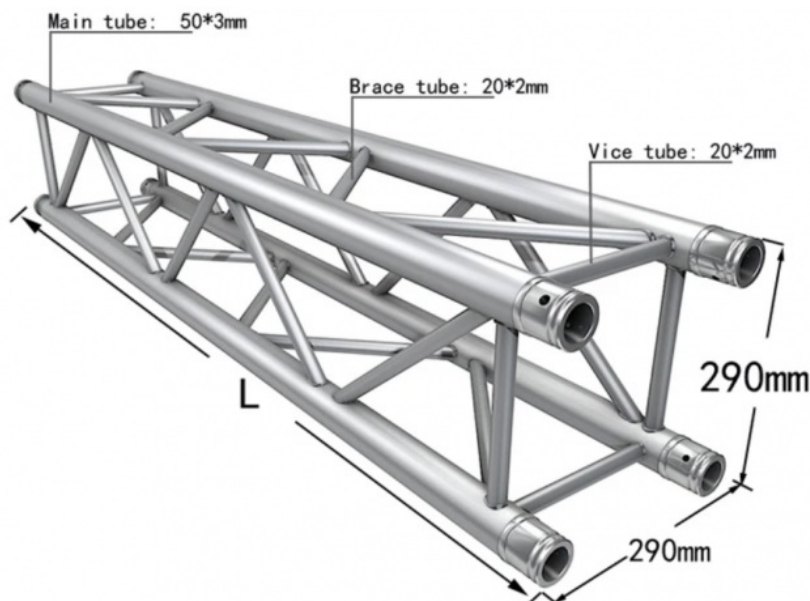
Product Description

High Quality Durable Aluminum Alloy Truss Movable Aluminum Stage Truss Spigot Bolts Truss

Product Description:

Truss model	290x290mm			
Material	Aluminum alloy 6061-T6			
Main tube	Φ50*3mm			
Vice tube	Φ20*2mm			
Brace tube	Φ20*2mm			
Truss type	Spigot Truss			
Length	0.5m/1m/1.5m/2m €?4m or custom size			
Truss Shape	Ladder truss, triangular truss, square truss, arch truss, circle truss			
Color	Silver or black, blue, green...			
Usage	Concert, new product release, fashion show, booth stand construction			
Truss Load Capacity	3m	6m	9m	12m
Distribute Loadg(kg/m)	585	675	585	495
Deflectio(mm)	5	7	31	62

Details:



Aluminum Spigot Truss.

Aluminum alloy truss, also known as truss, is generally made of aluminum alloy 6061-T6 modified by cutting, processing, polishing, painting,

etc. It is widely used in performance exhibitions, events and celebrations, background decoration, sightseeing audio suspension, and other systems. The truss system can be constructed according to different sizes of the site, and can also be flexibly combined according to specific requirements. Lightweight, easy to construct and transport, with a maximum span of over 30 meters. Aluminum material is compressive, corrosion-resistant, and durable.

FAQ :

1.How can we guarantee quality?

Always final Inspection before shipment.

2.What can you buy from us?

Aluminium Truss, aluminium stage, layer stage, lights, sounds...

3.Why should you buy from us not from other suppliers?

Our structure is a professional stage truss and tent supplier in china with high quality and a wide range products, reasonable prices and stylish design, we are providing flexible solutions according to different usages and budgets of structure tent and stage truss. In addition, We provide you with one-stop shopping for your event party and activities, including tents, tables, chairs, lights, stage truss, sounds, air conditioner and floors.

4.Does company provide the OEM service?

Sure, our company could provide the OEM service according to your request, like the size, the color, your logo and so on.

5.Whether your stage truss and tent can be convenient to install and remove?

Our stage truss and tent are very convenient to install and remove, and it could be flexible to use in a variety of occasions.

6.About warranty

We offer 3 year warranty service, we shall repair or replace it as soon as possible.

7.Method of payment


TT, Western Union, Bank transfer, alibaba, Paypal, LC. Advance payment (total payment of 30): after signing the contract and receive this payment, we will arrange for customer equipment production.

Balance(total amount of 70): this payment must be completed before delivery.



 0086 13640286461

 amanda@marquees-tent.com

 marquees-tent.com

No.319, 2nd building , 8th zone , Aoyuan city plaza , Zhongcun Street, Guangzhou, Guangdong, China